



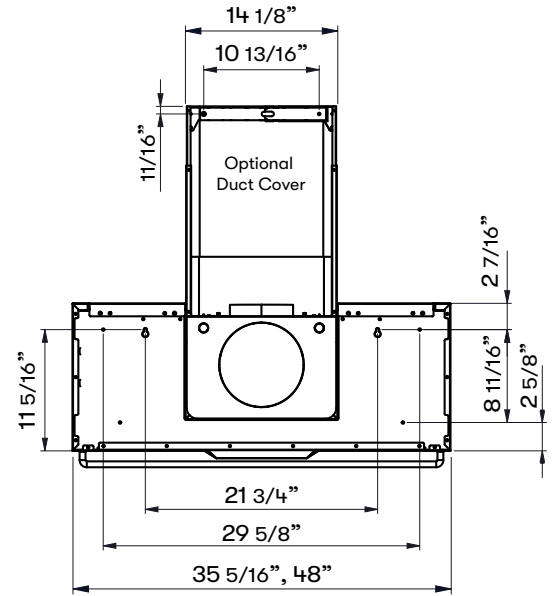
Shown with optional gold accent rail



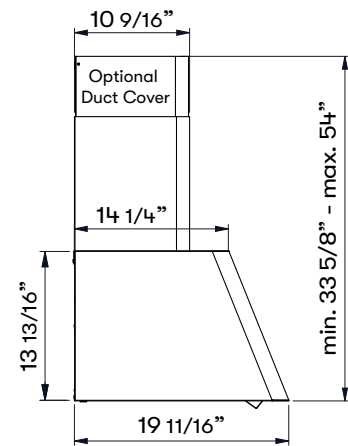
Shown with optional gold accent rail



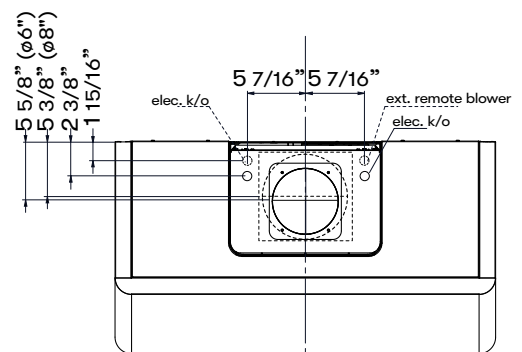
Shown with optional stainless steel accent rail



BACK



SIDE



TOP

MODEL

Matte Black	DME-M90AMBX	DME-E48AMBX
Satin Gold	DME-M90ASGX	DME-E48ASGX
Stainless Steel	DME-M90ASSX	DME-E48ASSX
Size	90cm (35-3/8")	48"

BLOWER PERFORMANCE

Single Internal Blower (CBI-290C)*	200-290 CFM, 1.4-3 sones	200-290 CFM, 1.4-3 sones
Single Internal Blower (CBI-600A)*	240-600 CFM, 1.8-6 sones	240-600 CFM, 1.8-6 sones
Dual Internal Blower (PBI-1100B-DME)*	NA	500-1,000 CFM, 3.5-8 sones
In-Line Blower (PBN-1000A)*	500-1,000 CFM, sones NA	500-1,000 CFM, sones NA
External Blower (CBE-1000)*	500-1,000 CFM, sones NA	500-1,000 CFM, sones NA

FEATURES

Controls	Invisible Touch	Invisible Touch
Speed Levels	3	3
Auto Delay-Off	Yes	Yes
CleanAir Function**	Yes	Yes
Lighting	LED, 5W x2	LED, 5W x4
Tri-Level Lighting	Yes	Yes
Filters	Hybrid Baffle x3	Hybrid Baffle x4
Recirculating***	Yes	No
ADA Compliant	Yes, with remote option	Yes, with remote option

DUCT SPECIFICATIONS

Vertical Single Internal Blower	6" Round	6" Round
Vertical Dual Internal Blower	8" Round	8" Round
Vertical In-Line/External Blower	10" to 8" Round****	10" to 8" Round****
Horizontal Single Internal Blower	6" Round	6" Round
Horizontal Dual Internal Blower	NA	NA
Horizontal In-Line/External Blower	10" to 8" Round****	10" to 8" Round****

AC POWER

Hood w/ CBI-290C	120V, 60Hz, Max. 1A	120V, 60Hz, Max. 1A
Hood w/ CBI-600A	120V, 60Hz, Max. 3A	120V, 60Hz, Max. 3A
Hood w/ PBI-1100B-DME	NA	120V, 60Hz, Max. 5.75A
Hood w/ PBN-1000A	120V, 60Hz, Max. 5.4A	120V, 60Hz, Max. 5.4A
Hood w/ CBE-1000	120V, 60Hz, Max. 6.6A	120V, 60Hz, Max. 6.6A

OPTIONAL ACCESSORIES

Recirculating Kit	ZRC-01ME	NA
Remote Control	14000010	14000010
Duct Cover - Matte Black	Z1C-00MEMB	Z1C-00MEMB
Duct Cover - Satin Gold	Z1C-00MESG	Z1C-00MESG
Duct Cover - Stainless Steel	Z1C-00MESS	Z1C-00MESS
Accent Rail - Matte Black	MERAIL-00MB	MERAIL-01MB
Accent Rail - Satin Gold	MERAIL-00SG	MERAIL-01SG
Accent Rail - Stainless Steel	MERAIL-00SS	MERAIL-01SS
Make-Up Air Kit	MUA006A (600 CFM)	MUA006A (600 CFM)
	MUA008A (1,000 CFM)	MUA008A (1,000 CFM)

MOUNTING HEIGHT RANGE†	24" - 36"	24" - 36"
------------------------	-----------	-----------

WARRANTY	2 year parts, 1 year labor	2 year parts, 1 year labor
----------	----------------------------	----------------------------

HOOD HEIGHT CALCULATOR - With Optional Duct Cover

CEILING HEIGHT	8'	8.5'	9'	9.5'	10'	10.5'	11'	12'
MOUNTING HEIGHT†	24" - 26"	24" - 32"	24" - 36"	24" - 36"	30" - 36"	36" - 36"	NA	NA

*Blower sold separately.

**CleanAir turns your hood on once every four hours for 10 minutes on speed one.

***Not compatible with optional duct cover.

****10" round duct connects to external and in-line blower. Must transition from 10" to 8" before duct passes through ceiling. A 10" to 8" adapter is included with external and in-line blowers.

†Mounting height refers to distance between top of a 36" tall cooking surface and bottom of hood.